



Drain Basins, Channels and Grates



Solutions for Home,
Landscape, and Sports Field
Drainage Problems



Solutions for Home, Landscape and Sports Field Drainage Problems*

Homeowners who suffer the inconvenience and unpleasantness of flooded basements, wet yards, or malfunctioning septic systems now have an economical solution for surface water removal by using DrainTech™ basins, channel drains and grates from Advanced Drainage Systems.

Manufactured using rigid, lightweight polyolefins, DrainTech basins and channels are easy to install, long lasting and require little maintenance. For shallow applications, DrainTech low-profile drains are recommended.



DrainTech structures include a wide range of grates available in four colors for use in turf, landscaping and hard surface areas. Most grates have a non-skid surface and are compliant with the Americans with Disabilities Act (see items marked "ADA Compliant").

Through the use of universal adapters, DrainTech structures can easily connect to the most common types of pipe used in landscaping and turf applications, including corrugated and smooth wall polyethylene pipe, and schedule 40 PVC pipe. The basins are also interchangeable with many competing grates.

The DrainTech line of structures also includes valve boxes with risers, for use in landscape irrigation systems.

For a complete drainage system, ADS also provides singlewall corrugated polyethylene pipe and TripleWall® pipe for downspout and roof-to-curb connections. A complete line of fittings, including tees, wyes and elbows, are also available. See the inside back cover page for more information on ADS pipe and Fittings.

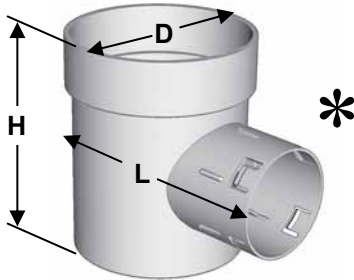
DrainTech basins, channels and grates are instrumental in solving the problems created by surface runoff and poorly drained soils. A properly designed system can improve your property, create a more enjoyable landscape, and protect your investment for years to come.

***For commercial/heavy duty applications, use Nyloplast® Engineered Drainage Structures or Duraslot® Surface Drains from ADS**

6" Drain Basins and Grates

Applications: Use to collect low-volume water flows from wet areas in yards, lawns, fairways and sports fields. Can also be used in patios, garages and driveways.

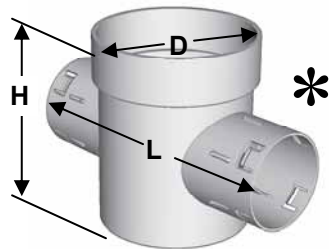
6" Round 1-Hole Basin



Use with: 3" or 4" Corrugated Singlewall Pipe; 3" or 4" TripleWall Pipe; 3" or 4" PVC Pipe; Singlewall HDPE Fittings; and the grate types shown on the facing page. Use 6" pipe for a riser with this basin.

Product #	Description	UPC Code	Dimensions (inches)			Package Quantity	List Price
			L	D	H		
0606SD1	6" Round 1-Hole Basin	96942705585	9.2	6.7	7.8	5	\$14.57

6" Round 2-Hole Basin



Use with: 3" or 4" Corrugated Singlewall Pipe; 3" or 4" TripleWall Pipe; 3" or 4" PVC Pipe; Singlewall HDPE Fittings; and the grate types shown on the facing page. Use 6" pipe for a riser with this basin.

Product #	Description	UPC Code	Dimensions (inches)			Package Quantity	List Price
			L	D	H		
0606SD2	6" Round 2-Hole Basin	96942705592	11.6	6.7	7.8	5	\$14.57

6" Round 2-Hole Basin KIT



A complete package: 6" round 2-hole basin plus 6" round green plastic grate and 1 Solid End Cap.

Product #	Description	UPC Code	Dimensions (inches)			Package Quantity	List Price
			L	D	H		
0606SD2K	6" Round 2-Hole Basin Kit	96942705608	11.6	6.7	7.8	2	\$25.00

6" Round Grate

Use with: 6" Round Basin, 6" Corrugated Singlewall Pipe or 6" PVC pipe.

ADA Compliant



Product #	Description	Color	UPC Code	Dimensions (inches)		Package Quantity	List Price
				D	H		
0660SDB	6" Round Grate	Black	96942705745	6.7	1.8	10	\$8.55
0660SDG	6" Round Grate	Green	96942705752	6.7	1.8	10	\$8.55
0660SDS	6" Round Grate	Sand	96942709804	6.7	1.8	10	\$8.55
0601DI	6" Drop in Grate	Ductile Iron	96942711432	5.9	1.3	1	\$35.87
0601SDSG	6" Drop in Grate	Steel	96942711449	6.8	1.5	1	\$30.00

6" Drain Basins and Grates

6" Atrium Grate



Application: Use in garden beds and other areas where floatable debris like mulch or leaves would clog a standard, flat grate.

Use with: 6" Round Basin, 6" Corrugated Singlewall Pipe or 6" PVC pipe.

Product #	Description	Color	UPC Code	Dimensions (inches) D H	Package Quantity	List Price
0663SDB	6" Atrium Grate	Black	96942705783	6.7 5.6	10	\$13.68
0663SDG	6" Atrium Grate	Green	96942705790	6.7 5.6	10	\$13.68
0663SDS	6" Atrium Grate	Sand	96942709859	6.7 5.6	10	\$13.68

7" Square Grate



Use with: 6" Round Basin, 6" Corrugated Singlewall Pipe or 6" PVC pipe.

ADA Compliant

Product #	Description	Color	UPC Code	Dimensions (inches) L W H	Package Quantity	List Price
0762SDB	7" Square Grate	Black	96942705875	6.9 6.9 2.4	10	\$9.15
0762SDG	7" Square Grate	Green	96942705882	6.9 6.9 2.4	10	\$9.15
0762SDS	7" Square Grate	Sand	96942709828	6.9 6.9 2.4	10	\$9.15

8" Square Grate



Use with: 6" Round Basin, 6" Corrugated Singlewall Pipe or 6" PVC pipe

ADA Compliant

Product #	Description	Color	UPC Code	Dimensions (inches) L W H	Package Quantity	List Price
0862SDB	8" Square Grate	Black	96942706001	7.8 7.8 2.4	10	\$9.54
0862SDG	8" Square Grate	Green	96942706018	7.8 7.8 2.4	10	\$9.54
0862SDS	8" Square Grate	Sand	96942709835	7.8 7.8 2.4	10	\$9.54

9" Square Grate



Use with: 6" Round Basin, 6" Corrugated Singlewall Pipe or 6" PVC pipe

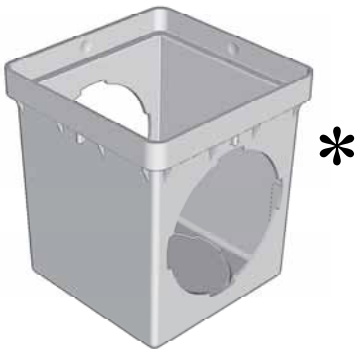
ADA Compliant

Product #	Description	Color	UPC Code	Dimensions (inches) L W H	Package Quantity	List Price
0962SDB	9" Square Grate	Black	96942706230	8.9 8.9 2.5	10	\$14.77
0962SDG	9" Square Grate	Green	96942706247	8.9 8.9 2.5	10	\$14.77
0962SDS	9" Square Grate	Sand	96942709842	8.9 8.9 2.5	10	\$14.77

9" Drain Basins and Grates

Applications: Use to collect medium-volume water flows from wet areas in yards, lawns, fairways and sports fields. Can also be used in patios, garages and driveways.

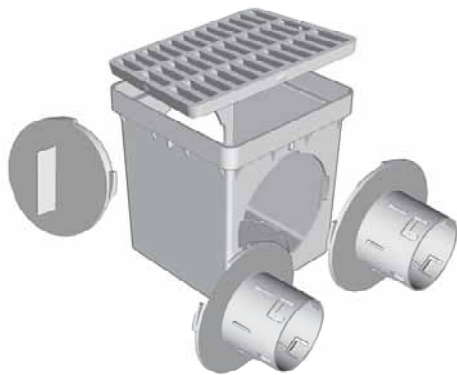
9" Square 2-Hole Basin



Use with: 3", 4" or 6" Corrugated Singlewall Pipe; 3" or 4" TripleWall Pipe; 3", 4" or 6" PVC Pipe; Singlewall HDPE Fittings; DrainTech 9" Square Riser; DrainTech Universal End Plug (page 12); DrainTech Pipe Adapters (pages 12 & 13); and the grate types shown on the facing page.

Product #	Description	UPC Code	Dimensions (inches)			Package Quantity	List Price
			L	W	H		
0909SD2	9" Square 2-Hole Basin	96942706148	9.4	9.4	10.1	4	\$20.79

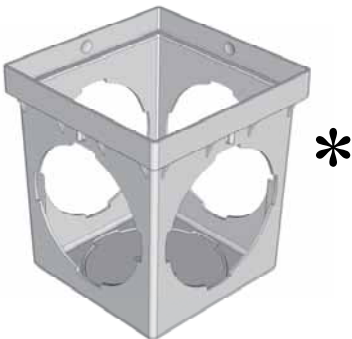
9" Square 2-Hole Basin Kit



A complete package. Kit contains one 9 inch Square 2-hole Basin, one 9" Square Grate in green, one Universal End Plug and two Adapters to connect 3" or 4" drainage pipe to the basin.

Product #	Description	UPC Code	Dimensions (inches)			Package Quantity	List Price
			L	W	H		
0909SD2KB	9" Square 2-Hole Basin Kit with Black Grate	96942717526	9.4	9.4	10.1	1	\$66.06
0909SD2KG	9" Square 2-Hole Basin Kit with Green Grate	96942717533	9.4	9.4	10.1	1	\$66.06

9" Square 4-Hole Basin

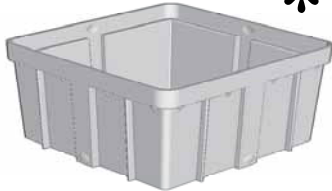


Use with: 3", 4" or 6" Corrugated Singlewall Pipe; 3" or 4" TripleWall Pipe; 3", 4" or 6" PVC Pipe; Singlewall HDPE Fittings; DrainTech 9" Square Riser; DrainTech Universal End Plug (page 12); DrainTech Pipe Adapters (pages 12 & 13); and the grate types shown on the facing page.

Product #	Description	UPC Code	Dimensions (inches)			Package Quantity	List Price
			L	W	H		
0909SD4	9" Square 4-Hole Basin	96942706162	9.4	9.4	10.1	4	\$22.92

9" Drain Basins and Grates

9" Square Riser



Application: Use to add 6 inches of height to 9" square 2-Hole or 4-Hole Basin.

Product #	Description	UPC Code	Dimensions (inches)			Package Quantity	List Price
			L	W	H		
0906SD	9" Square Riser	96942706124	9.4	9.4	7.1	4	\$20.23

9" Square Grate

Use with: 9" Square Basin or 9" Low Profile Drain

ADA Compliant



Product #	Description	Color	UPC Code	Dimensions (inches)			Package Quantity	List Price
				L	W	H		
0902SDB	9" Square Grate	Black	96942706063	9.0	9.0	1.1	8	\$26.86
0902SDG	9" Square Grate	Green	96942706070	9.0	9.0	1.1	8	\$26.86
0902SDS	9" Square Grate	Sand	96942709866	9.0	9.0	1.1	8	\$26.86
0902SDSG	9" Square Grate Steel	Steel	96942711951	9.0	9.0	1.1		\$93.01
0902SDDI	9" Square Grate Ductile Iron	Iron	96942717618	9.0	9.0	1.1	8	\$71.35

9" Atrium Grate

Application: Use in garden beds and other areas where floatable debris like mulch or leaves would clog a standard, flat grate.



Use with: 9" Square Basin or 9" Low Profile Drain

Product #	Description	Color	UPC Code	Dimensions (inches)			Package Quantity	List Price
				L	W	H		
0903SDB	9" Atrium Grate	Black	96942706100	9.0	9.0	3.5	8	\$30.99
0903SDG	9" Atrium Grate	Green	96942706117	9.0	9.0	3.5	8	\$30.99
0903SDS	9" Atrium Grate	Sand	96942709873	9.0	9.0	3.5	8	\$30.99

12" Drain Basins and Grates

Applications: Use to collect medium- to high-volume water flows from wet areas in yards, lawns, fairways and sports fields. Can also be used in patios, garages and driveways.

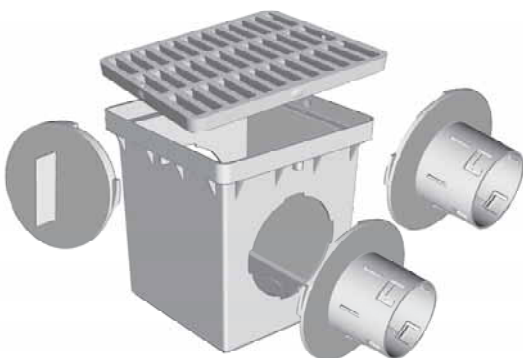
12" Square 2-Hole Basin



Use with: 3", 4", 6" or 8" Corrugated Singlewall Pipe; 3" or 4" TripleWall Pipe; 3", 4", 6" or 8" PVC Pipe; Singlewall HDPE Fittings; DrainTech 12" Square Riser, Drain Tech Universal End Plug (page 12); DrainTech Pipe Adapters (pages 12 and 13); and the grate types shown on the facing page.

Product #	Description	UPC Code	Dimensions (inches)			Package Quantity	List Price
			L	W	H		
1212SD2	12" Square 2-Hole Basin	96942706520	12.1	12.1	12.8	4	\$35.52

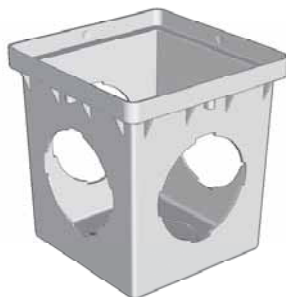
12" Square 2-Hole Basin Kit



A complete package. Kit contains one 12 inch Square 2-hole Basin, one 12" Square Grate in green, one Universal End Plug and two Adapters to connect 3" or 4" drainage pipe to the basin.

Product #	Description	UPC Code	Dimensions (inches)			Package Quantity	List Price
			L	W	H		
1212SD2KB	12" Square 2-Hole Basin Kit with Black Grate	96942717540	12.1	12.1	12.8	1	\$93.81
1212SD2KG	12" Square 2-Hole Basin Kit with Green Grate	96942717557	12.1	12.1	12.8	1	\$93.81

12" Square 4-Hole Basin



Use with: 3", 4", 6" or 8" Corrugated Singlewall Pipe; 3" or 4" TripleWall Pipe; 3", 4", 6" or 8" PVC Pipe; Singlewall HDPE Fittings; DrainTech 12" Square Riser, Drain Tech Universal End Plug (page 12); DrainTech Pipe Adapters (pages 12 and 13); and the grate types shown on the facing page.

Product #	Description	UPC Code	Dimensions (inches)			Package Quantity	List Price
			L	W	H		
1212SD4	12" Square 4-Hole Basin	96942706551	12.1	12.1	12.8	4	\$48.12

12" Drain Basins and Grates

12" Square Riser



Application: Use to add 6 inches of height to 12" square 2-Hole or 4-Hole Basin.

Product #	Description	UPC Code	Dimensions (inches)			Package Quantity	List Price
			L	W	H		
1206SD	12" Square Riser	96942706452	12.1	12.1	7.1	4	\$20.76

12" Square Grate

Use with: 12" Square Basin or 12" Low Profile Drain

ADA Compliant

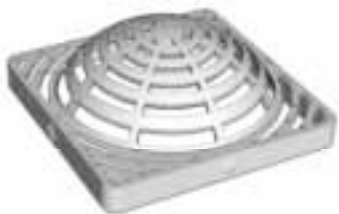


Product #	Description	Color	UPC Code	Dimensions (inches)			Package Quantity	List Price
				L	W	H		
1202SDB	12" Square Grate	Black	96942706391	11.8	11.8	1.1	8	\$39.88
1202SDG	12" Square Grate	Green	96942706407	11.8	11.8	1.1	8	\$39.88
1202SDS	12" Square Grate	Sand	96942709880	11.8	11.8	1.1	8	\$39.88
1202SDBR	12" Square Grate	Manganese	96942711517	11.8	11.8	1.1	1	\$524.88
1202SDDI	12" Square Grate	Ductile Iron	96942717625	11.8	11.8	1.1	1	\$77.40
1202SDSG	12" Square Grate	Steel	96942711968	11.8	11.8	1.1	1	\$157.91

12" Atrium Grate

Application: Use in garden beds and other areas where floatable debris like mulch or leaves would clog a standard, flat grate.

Use with: 12" Square Basin or 12" Low Profile Drain



Product #	Description	Color	UPC Code	Dimensions (inches)			Package Quantity	List Price
				L	W	H		
1203SDB	12" Atrium Grate	Black	96942706438	11.8	11.8	4.6	8	\$45.50
1203SDG	12" Atrium Grate	Green	96942706445	11.8	11.8	4.6	8	\$45.50
1203SDS	12" Atrium Grate	Sand	96942709897	11.8	11.8	4.6	8	\$45.50

12" Square Solid Basin Cover

Use with: 12" Square Basin or 12" Low Profile Drain

ADA Compliant

Product #	Description	Color	UPC Code	Dimensions (inches)			Package Quantity	List Price
				L	W	H		
1252SDCG	12" Square Solid Cover	Green	96942711357	11.8	11.8	4.6	8	\$40.67

18" Drain Basins and Grates

Applications: Use to collect high-volume water flows from wet areas in yards, lawns, fairways and sports fields. Can also be used in patios, garages and driveways.

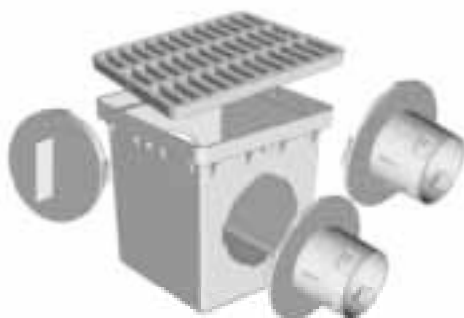
18" Square 2-Hole Basin



Use with: 3", 4", 6", 8" or 10" Corrugated Singlewall Pipe; 3" or 4" TripleWall Pipe; 3", 4", 6", 8" or 10" PVC Pipe; Singlewall HDPE Fittings; DrainTech 18" Square Riser, DrainTech Universal End Plug (page 12); and the grate types shown on the facing page.

Product #	Description	UPC Code	Dimensions (inches)			Package Quantity	List Price
			L	W	H		
1818SD2	18" Square 2-Hole Basin	96942706766	20.0	20.0	19.3	1	\$226.65

18" Square 2-Hole Basin Kit



A complete package. Kit contains one 18 inch Square 2-hole Basin, one 18" Square Grate in green, one Universal End Plug and two Adapters to connect 3" or 4" drainage pipe to the basin.

Product #	Description	UPC Code	Dimensions (inches)			Package Quantity	List Price
			L	W	H		
1818SD2K	18" Square 2-Hole Basin 28 Kit	96942708111	20.0	20.0	19.3	1	\$318.47

18" Square 4-Hole Basin



Use with: 3", 4", 6", 8" or 10" Corrugated Singlewall Pipe; 3" or 4" TripleWall Pipe; 3", 4", 6", 8" or 10" PVC Pipe; Singlewall HDPE Fittings; DrainTech 18" Square Riser, DrainTech Universal End Plug (page 12); and the grate types shown on the facing page.

Product #	Description	UPC Code	Dimensions (inches)			Package Quantity	List Price
			L	W	H		
1818SD4	18" Square 4-Hole Basin	96942708166	20.0	20.0	19.3	1	\$241.75

18" Drain Basins and Grates

18" Square Riser



Application: Use to add 6 inches of height to 18" square 2-Hole or 4-Hole Basin.

Product #	Description	UPC Code	Dimensions (inches)			Package Quantity	List Price
			L	W	H		
1806SD	18" Square Riser	96942706759	17.8	17.8	7.5	4	\$92.49

18" Square Grate

Use with: 18" Square Basin

ADA Compliant



Product #	Description	Color	UPC Code	Dimensions (inches)			Package Quantity	List Price
				L	W	H		
1802SDB	18" Square Grate	Black	96942706698	16.9	16.9	2.0	4	\$146.53
1802SDG	18" Square Grate	Green	96942706704	16.9	16.9	2.0	4	\$146.53
1802SDDI	18" Square Grate Ductile Iron	Iron	96942717632	16.9	16.9	2.0	4	\$292.15
1802SDSG	18" Square Grate Steel	Steel	96942711975	16.9	16.9	2.0	4	\$298.88

18" Atrium Grate

Application: Use in garden beds and other areas where floatable debris like mulch or leaves would clog a standard, flat grate.



Use with: 18" Square Basin

Product #	Description	UPC Code	Color	Dimensions (inches)			Package Quantity	List Price
				L	W	H		
1803SDB	18" Atrium Grate	96942706735	Black	17.0	17.0	7.0	2	\$91.82
1803SDG	18" Atrium Grate	96942706742	Green	17.0	17.0	7.0	2	\$91.82

24" Drain Basins and Grates

Applications: Use to collect high-volume water flows from wet areas in yards, lawns, fairways and sports fields. Can also be used in patios, garages and driveways.

24" Square 2-Hole Basin



Use with: 3", 4", 6", 8", 10" or 12" Corrugated Singlewall Pipe; 3" or 4" TripleWall Pipe; 3", 4", 6", 8", 10" or 12" PVC Pipe; Singlewall HDPE Fittings; DrainTech 24" Square Riser, DrainTech Universal End Plug (page 12); and DrainTech 24" Square Grate.

Product #	Description	UPC Code	Dimensions (inches)			Package Quantity	List Price
			L	W	H		
2424SD2	12" Square 2-Hole Basin	96942711685	25.0	25.0	24.0	1	\$443.33

24" Square 4-Hole Basin



Use with: 3", 4", 6", 8", 10" or 12" Corrugated Singlewall Pipe; 3" or 4" TripleWall Pipe; 3", 4", 6", 8", 10" or 12" PVC Pipe; Singlewall HDPE Fittings; DrainTech 24" Square Riser, DrainTech Universal End Plug (page 12); and DrainTech 24" Square Grate.

Product #	Description	UPC Code	Dimensions (inches)			Package Quantity	List Price
			L	W	H		
2424SD4	24" Square 4-Hole Basin	96942711692	25.0	25.0	24.0	1	\$470.83

24" Square Riser



Application: Use to add 12 inches of height to 24" square 2-Hole or 4-Hole Basin.

Product #	Description	UPC Code	Dimensions (inches)			Package Quantity	List Price
			L	W	H		
2406SD	24" Square Riser	96942711678	25.0	25.0	13.0	1	\$260.08

24" Square Grate

Use with: 24" Square Basin

ADA Compliant



Product #	Description	Color	UPC Code	Dimensions (inches)			Package Quantity	List Price
				L	W	H		
2402SDB	12" Square Grate	Black	96942711654	24.0	24.0	2.0	1	\$372.18
2402SDG	12" Square Grate	Green	96942711661	24.0	24.0	2.0	1	\$372.18